

ELECTROMAGNETIC CHUCKS

Model KEZX SUPER POWERFUL ELECTROMAGNETIC CHUCK WITH T-SLOTS

Environmentally friendly

Chuck controller required additionally

[Application]

A super powerful electromagnetic chuck having T-slots for heavy duty cutting. A range of workpieces that can be held has been expanded by a combination of a quick working magnet system and clamps by use of T-grooves.

As the mechanical clamping mechanism is incorporated, irregularly shaped workpieces and nonmagnetic workpieces that cannot be held by normal electromagnetic chucks can be held easily.

When clamping a nonmagnetic workpiece, such work as demounting the electromagnetic chuck from the machine table can be eliminated.

Model KEZX comes both in the flat type and vertical type.

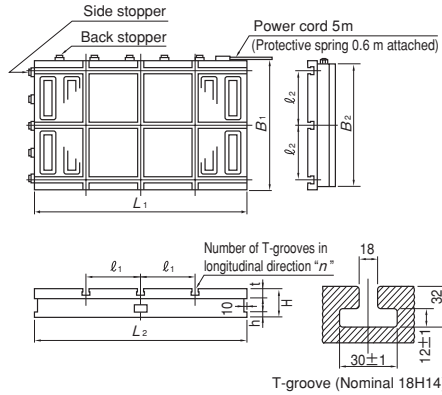
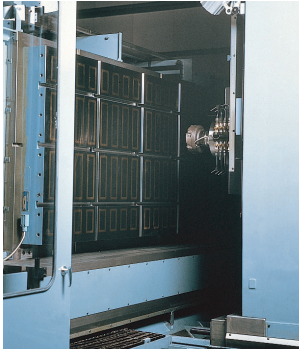
[Features]

- Super powerful electromagnetic chuck specially designed for heavy duty cutting.
- Small and irregularly shaped workpieces can be held firmly by a combination of a magnet and clamping by use of T-slots.
- Since a nonmagnetic workpiece can be secured by clamping by use of T-slots, such steps as mounting and demounting the electromagnetic chuck to and from the machine table are not required.
- With the vertical type, effective usage of T-grooves with the magnetic force of the electromagnetic chuck reduced (or turned off completely) facilitates positioning of the workpiece or obtaining the reference plane.
- Workpieces having a small attractive face area can also be clamped firmly.



KEZX-60100B

An example of vertical usage



T-groove (Nominal 18H14)

[mm(in)]

| Model | Nominal Size | Work Face | | | | | Number of T-slots | | Mounting Face | | | Height | Voltage | Current | Mass | Electro Chuck Master |
|-------------|--------------------------|----------------|----------------|-----------|----------------|----------------|-------------------|---|----------------|----------------|-----------|------------|---------|---------|---------------|----------------------|
| | | B ₁ | L ₁ | t | l ₁ | l ₂ | X | Y | B ₂ | L ₂ | h | | | | | |
| KEZX-50100B | 500 (19.6) × 1000 (39.4) | 500 (19.6) | 1000 (39.4) | 50 (1.96) | 242 (9.52) | 200 (7.87) | 3 | 3 | 490 (19.2) | 1000 (39.4) | 20 (0.78) | 130 (5.11) | 90 VDC | 4.2A | 442kg/ 974 lb | 5A Series |
| KEZX-50150B | 500 (19.6) × 1500 (59.0) | | 1500 (59.0) | | 238 (9.36) | | | | 5 | 1500 (59.0) | | | | | | EH-VE210D |
| KEZX-60100B | 600 (23.6) × 1000 (39.4) | | 600 (23.6) | | 242 (9.52) | | | | 250 (9.84) | 3 | | | | | | 590 (23.2) |

※ "5A Series" refers to Chuck Masters in general the rated output current of which is 5A. ※ The chuck controller and clamp parts are not included. The KANETEC chucks work best when a KANETEC chuck controller is used.

Model KETZ SUPER POWERFUL ELECTROMAGNETIC CHUCK

Environmentally friendly

Chuck controller required additionally

[Application]

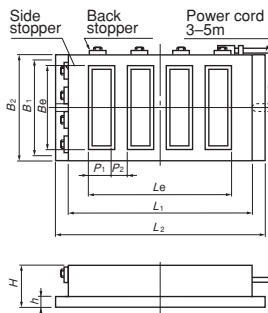
Designed for heavy duty cutting by a milling machine and planomiller. Most suitable for powerful chucking of thick workpieces and high-speed cutting where a large cutting force is exerted.

[Features]

- Super powerful electromagnetic chucks specially designed for heavy duty cutting.
- Various measures provided for easy mounting, easy wiring and quick elimination of residual magnetism.
- Very effective holding power for workpieces that are 15 mm or thicker and sized 140×140 mm or larger.



KETZ-2550B



[mm(in)]

| Model | Nominal Size | Work Face | | | | Pole Pitch | | No. of Poles | Mounting Face | | | Height | Mounting Hole | Voltage | Current | Mass | Electro Chuck Master | Remarks |
|---------------|--------------------------|----------------|----------------|----------------|----------------|----------------|----------------|--------------|----------------|----------------|-----------|------------|---------------|-----------|---------------|--|--|---------|
| | | B ₁ | L ₁ | L _e | B _e | P ₁ | P ₂ | | B ₂ | L ₂ | h | | | | | | | |
| KETZ- 1530B | 150 (5.90) × 300 (11.8) | 150 (5.90) | 300 (11.8) | 240 (9.44) | 90 (3.54) | 228 (8.97) | — | 1 | 156 (6.14) | 350 (13.7) | 18 (0.70) | 90 (3.54) | 14 | 0.45A | 28kg/ 61lb | ※ES-M103B ES-M305B EH-V305A EH-VE305A | ※For types with a combination of a rectifier and demagnetizer, see pages of "Chuck Controllers." | |
| KETZ- 1545B | 150 (5.90) × 450 (17.7) | 150 (5.90) | 450 (17.7) | 390 (15.3) | 90 (3.54) | 378 (14.8) | — | 1 | 156 (6.14) | 500 (19.6) | 18 (0.70) | 90 (3.54) | 14 | 0.66A | 42kg/ 92lb | | | |
| KETZ- 2050B | 200 (7.87) × 500 (19.6) | 200 (7.87) | 500 (19.6) | 422 (16.6) | 160 (6.29) | 62 (2.44) | 54 (2.12) | 4 | 206 (8.10) | 520 (20.4) | 20 (0.78) | 100 (3.93) | 14 | 0.90A | 68kg/ 149lb | | | |
| KETZ- 2060B | 200 (7.87) × 600 (23.6) | 200 (7.87) | 600 (23.6) | 520 (20.4) | 160 (6.29) | 60 (2.36) | 52 (2.04) | 5 | 206 (8.10) | 620 (24.4) | 20 (0.78) | 100 (3.93) | 14 | 0.95A | 79kg/ 174lb | | | |
| KETZ- 2080B | 200 (7.87) × 800 (31.5) | 200 (7.87) | 800 (31.5) | 718 (28.2) | 160 (6.29) | 58 (2.28) | 50 (1.96) | 7 | 206 (8.10) | 820 (32.2) | 20 (0.78) | 100 (3.93) | 14 | 1.42A | 115kg/ 253lb | | | |
| KETZ- 2550B | 250 (9.84) × 500 (19.6) | 250 (9.84) | 500 (19.6) | 422 (16.6) | 200 (7.87) | 62 (2.44) | 54 (2.12) | 4 | 256 (10.0) | 520 (20.4) | 20 (0.78) | 110 (4.33) | 14 | 1.16A | 94kg/ 207lb | | | |
| KETZ- 2560B | 250 (9.84) × 600 (23.6) | 250 (9.84) | 600 (23.6) | 520 (20.4) | 200 (7.87) | 60 (2.36) | 52 (2.04) | 5 | 256 (10.0) | 620 (24.4) | 20 (0.78) | 110 (4.33) | 14 | 1.26A | 118kg/ 260lb | | | |
| KETZ- 3060B | 300 (11.8) × 600 (23.6) | 300 (11.8) | 600 (23.6) | 520 (20.4) | 240 (9.44) | 67 (2.63) | 56 (2.20) | 5 | 306 (12.0) | 920 (36.2) | 20 (0.78) | 110 (4.33) | 14 | 1.64A | 143kg/ 315lb | | | |
| KETZ- 3090B | 300 (11.8) × 900 (35.4) | 300 (11.8) | 900 (35.4) | 817 (32.1) | 240 (9.44) | 67 (2.63) | 56 (2.20) | 7 | 306 (12.0) | 920 (36.2) | 20 (0.78) | 110 (4.33) | 14 | 3.04A | 203kg/ 447lb | | | |
| KETZ- 4080B | 400 (15.7) × 800 (31.5) | 400 (15.7) | 800 (31.5) | 718 (28.2) | 340 (13.3) | 58 (2.28) | 50 (1.96) | 7 | 410 (16.1) | 820 (32.2) | 20 (0.78) | 110 (4.33) | 14 | 3.23A | 240kg/ 529lb | | | |
| KETZ-60100B | 600 (23.6) × 1000 (39.4) | 600 (23.6) | 1000 (39.4) | 917 (36.1) | 430 (16.9) | 55 (2.16) | — | 8 | 510 (20.0) | 1020 (40.1) | 20 (0.78) | 110 (4.33) | 14 | 3.69A | 300kg/ 661lb | | | |
| KETZ-50100B | 500 (19.6) × 1000 (39.4) | 500 (19.6) | 1000 (39.4) | 917 (36.1) | 430 (16.9) | 55 (2.16) | — | 8 | 510 (20.0) | 1020 (40.1) | 20 (0.78) | 110 (4.33) | 14 | 3.95A | 375kg/ 826lb | | | |
| ⊙ KETZ-50150C | 500 (19.6) × 1500 (59.0) | 500 (19.6) | 750 (29.5) × 2 | 1417 (55.7) | 430 (16.9) | 65 (2.55) | 52 (2.04) | 6 × 2 | 200 (8.0) | 1520 (59.8) | 20 (0.78) | 110 (4.33) | 14 | 2.69A × 2 | 552kg/ 1217lb | | | |
| KETZ-60100B | 600 (23.6) × 1000 (39.4) | 600 (23.6) | 1000 (39.4) | 917 (36.1) | 530 (20.8) | 55 (2.16) | — | 8 | 610 (24.0) | 1020 (40.1) | 20 (0.78) | 110 (4.33) | 14 | 5.30A | 414kg/ 912lb | | | |
| ⊙ KETZ-60150C | 600 (23.6) × 1500 (59.0) | 600 (23.6) | 750 (29.5) × 2 | 1412 (55.5) | 530 (20.8) | 52 (2.04) | — | 6 × 2 | 240 (9.4) | 1520 (59.8) | 20 (0.78) | 110 (4.33) | 14 | 3.51A × 2 | 650kg/ 1433lb | | | |

※ The power cord is 3 m for KETZ-1530B and 1545B and 5 m for others. ※ If the magnetic force needs not be adjusted, use ES-M. ※ Sizes not listed above are also available.

※ The chuck controller and clamp parts are not included. The KANETEC chucks work best when a KANETEC chuck controller is used.

※ The models marked by ⊙ are of duplex type. Please provide information such as a center connecting hole position. Also the terminal box TB-2PD is required for connection to the Chuck Master.

P17-P20