

MEASURING TOOL HOLDERS

Model MB-L THIN PERMANENT MAGNETIC HOLDER BASE

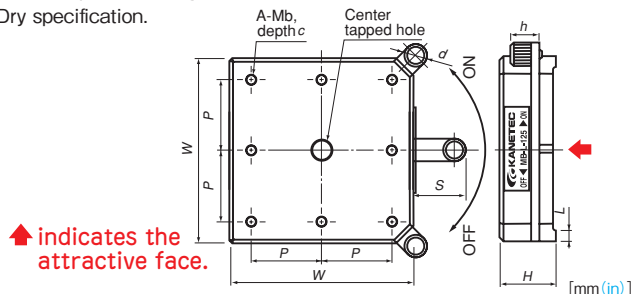


[Application]

Suitable as a base for securing jigs and measuring equipment on an iron surface plate or machine table and as a temporary base for laser and optical measurement. Since these bases are of switchover type permanent magnetic bases, they are recommended for applications that require fine adjustment and accuracy.

[Features]

- Simple ON/OFF operation with the lever.
- Thin and powerful magnetic force.
- Dry specification.



An example of usage

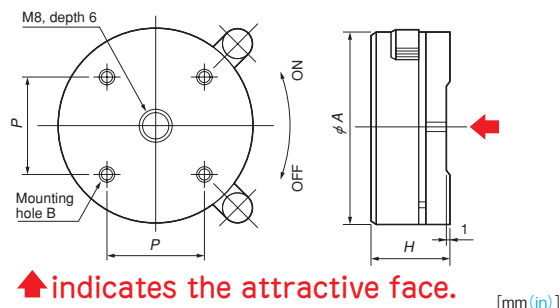
Mounting base of precision equipment



Model	Holding Power	Dimensions			Center Tapped Hole	Peripheral Tapped Hole				Operating Lever			Mass
		W	H	L		P	A	b	c	S	d	h	
MB-L-45	65N (6.5kgf)	45 (1.77)	20 (0.78)	2.5 (0.09)	M8 (0.31) x P1.25 (0.04, depth 8 (0.31))	25 (0.98)	4	M4 (0.15) x P0.7 (0.02)	6 (0.23)	15 (0.59)	9 (0.35)	0.3kg / 0.66 lb	
MB-L-65	200N (20kgf)	65 (2.55)	20 (0.78)	4 (0.15)	M16 (0.23) x P1.0 (0.03, depth 8 (0.31))	50 (1.96)	8	M6 (0.23) x P1.0 (0.03)	8 (0.31)	19 (0.74)	φ8 (0.31)	10 (0.39)	0.6kg / 1.32 lb
MB-L-90	250N (25kgf)	90 (3.54)	30 (1.18)	6 (0.23)						24 (0.94)			3.3kg / 7.27 lb
MB-L-125	800N (80kgf)	125 (4.92)	30 (1.18)	6 (0.23)						36 (1.41)		3.3kg / 7.27 lb	

*The holding power is based on a test piece of SS400, 25 mm thick, ground surface.
 *Slight additional work such as making a tapped hole on the top face is allowed. For details, see below.

Model MB-L-C THIN PERMANENT MAGNETIC HOLDER BASE



[Application]

Suitable as a base for securing jigs and measuring equipment on an iron surface plate or machine table and as a temporary base for laser and optical measurement. Since these bases are of switchover type permanent magnetic bases, they are recommended for applications that require fine adjustment and accuracy.

[Features]

- Simple ON/OFF operation with the lever.
- Thin and powerful magnetic force.
- Dry specification.

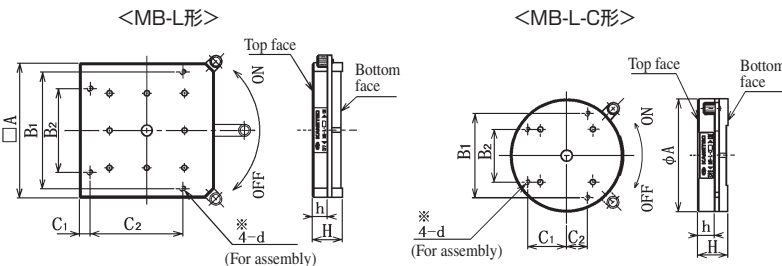
Model	Holding Power	Dimensions		Mounting Hole		Mass
		A	H	P	B	
MB-L-C50	59N (6kgf)	50 (1.96)	20 (0.78)	25 (0.98)	M4 (0.15) Depth 6 (0.23)	0.30kg / 0.6 lb
MB-L-C75	196N (20kgf)	75 (2.95)	20 (0.78)	35 (1.37)		0.68kg / 1.5 lb

*The holding power is based on a test piece of SS400, 25 mm thick, ground surface.
 *Slight additional work such as making a tapped hole on the top face is allowed. For details, see below.

Information about additional working on thin permanent magnetic holder bases

Additional work on the top face:

- Slight additional work such as making a tapped hole on the top face is allowed. Additional work is allowed in places that do not interfere with the top face tapped hole and the places marked by ※ (threads for assembly). For the allowed depth of additional work, see the table.
- Note that such additional work as making many tapped holes or slots may affect the holding power and product rigidity. When such work is required, please contact us.
- For additional work on the bottom face, please contact us.



Model	A	B ₁	B ₂	C ₁	C ₂	d	H	h	Allowed Additional Work Depth
MB-L-45	45 (1.77)	37 (1.45)	33 (1.29)	5 (0.19)	24.5 (0.96)	M3 (0.11)	20 (0.78)	12 (0.47)	9 (0.35)
MB-L-65	65 (2.55)	56 (2.20)	35 (1.37)	5.5 (0.21)	41.5 (1.63)	M3 (0.11)	20 (0.78)	11 (0.43)	8 (0.31)
MB-L-90	90 (3.54)	78 (3.07)	56 (2.20)	7 (0.27)	62 (2.44)	M4 (0.15)	20 (0.78)	10 (0.39)	7 (0.27)
MB-L-125	125 (4.92)	104 (4.09)	84 (3.30)	10 (0.39)	85 (3.34)	M5 (0.19)	30 (1.18)	14 (0.55)	11 (0.43)
MB-L-C50	50 (1.96)	37 (1.45)	25 (0.98)	17 (0.66)	6 (0.23)	M3 (0.11)	20 (0.78)	12 (0.47)	9 (0.35)
MB-L-C75	75 (2.95)	56 (2.20)	35 (1.37)	26 (1.02)	14 (0.55)	M3 (0.11)	20 (0.78)	11 (0.43)	8 (0.31)