

MAGNETIC HOLDERS

Model RH-M ELECTROMAGNETIC HOLDER HIGH-SPEED CONTROLLER

Dedicated to electromagnetic holders



RH-M102C



Precautions for use

- The rectifier KR Series and RH Series use electronic PC boards and small relays inside the rectifiers and therefore, are not suitable for use, for example, on cranes where they are subjected to vibrations constantly. For installation in places that are subjected to constant vibrations, anti-vibration measures need to be provided. The RH Series external signal input cables must be shielded cables and must be limited to 10 m long max.
- For failures due to use of holders made by other manufacturers, we may not be able to answer technical questions. Such use also voids the warranty even if a failure occurs within the warranty period.

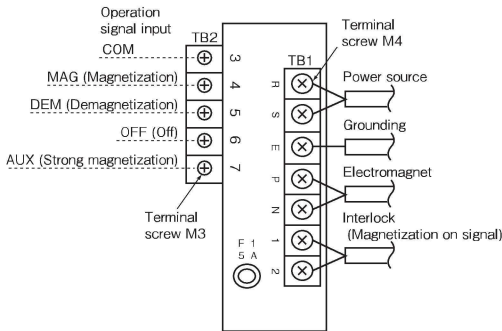
[Application]

These are breakthrough electric products that can make standard electromagnetic holders respond to higher-speed motion of workpiece handling by robot hands, etc.

[Features]

- The residual holding power, a factor to delay workpiece attaching and detaching operations, can be eliminated quickly to speed up the lines that use standard electromagnetic holders. (The demagnetizing time may become longer depending on materials of workpieces.)
- These controllers can be used to attract and transfer stacked plates one by one or to pick up parts stored in a bucket one by one by adjusting the voltage.

Terminal wiring diagram



For external control by a programmable controller, connect operation signals to the terminal TB2.

Connect the dry "a" contact of a relay or switch to be provided by the customer to between the terminals ③ (COM) and each of the operation signal terminals ④ to ⑦.

For all operation signals, use a one-shot no-voltage "a" contact signal, approx.100 ms (standard).

Model	Input		Output		Dimensions			Demag. Function	Applicable Holder	Mass		
	Voltage	Voltage	Current	Width	Depth	Height						
RH-M303A-6/24	Single-phase 100 VAC - 220 VAC, 50/60 Hz	0-24 VDC/ 0-6 VDC	3A	55 (2.17)	160 (6.30)	175 (6.89)	Provided	6V KE-1B	0.8kg/ 1.76 lb			
RH-M303A-6/24-C1				70 (2.76)	180 (7.09)	205 (8.07)			24V KE-2B-4B KE-2D-4E KE-2R-4RA KE-KA KE-V306-312 KEP-3C-9C,K5	1.7kg/ 3.75 lb		
RH-M303A-6/24-C2				175 (6.89)	100 (3.94)	190 (7.48)			90V KE-5B-9B KE-5E,6E KE-V510-830 KE-M	2.5kg/ 5.51 lb		
RH-M102C	Single-phase 100 VAC 50/60Hz	0-90 VDC	2A	145 (5.70)	175 (6.88)	260 (10.2)	Provided	24V KE-2B-4B KE-2D-4E KE-KA KE-V306-312 KE-2R-4RA	4.3kg/ 9.48 lb			
RH-M105B-24		0-24 VDC	5A	170 (6.69)					90V KE-5B-9B KE-5E,6E KE-V510-830 KE-M	4.5kg/ 9.92 lb		
RH-M105B	Single-phase 200 VAC 50/60Hz	0-90 VDC	10A	282 (11.1)	290 (11.4)	Provided	90V KE-5B-9B KE-5E,6E KE-V510-830 KE-M	6.0kg/ 13.2 lb				
RH-M205B		0-90 VDC						10A	282 (11.1)	290 (11.4)	90V KE-5B-9B KE-5E,6E KE-V510-830 KE-M	6.0kg/ 13.2 lb
RH-M210B		0-90 VDC										

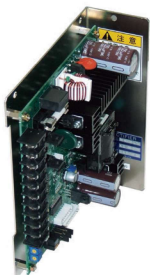
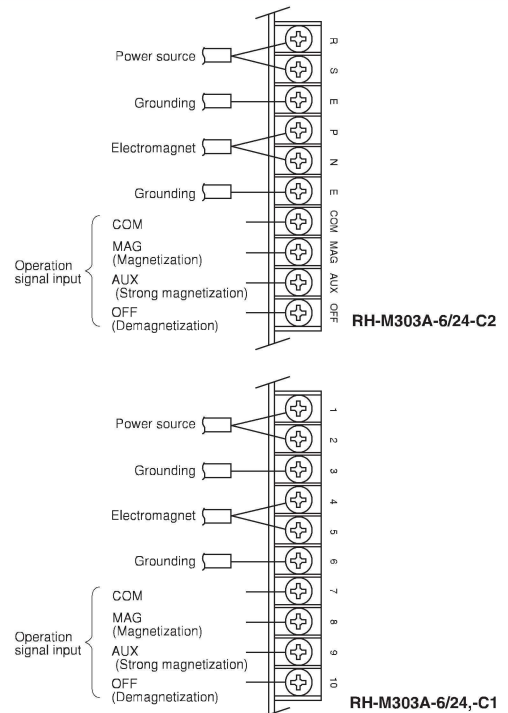
※For ON/OFF control, external control is required. Input signals are to be provided by the customer.

RH-M303A-6/24 Series

[Features]

- The employment of FET in the output circuit ensures high-speed and consistent demagnetization performance. This Series also withstands frequent usage.
- The PWM output control provides consistent output voltages not affected by voltage fluctuation and difference of power source frequency at very weak output setting.
- A wide range of power source from 100 VAC to 220 VAC can be used.
- The rated output voltage can be selected between 24 V and 6 V with a dip switch. (KE-1B also supported.)
- The demagnetization function is incorporated. (Alternate attenuation and reverse excitation can be selected with a dip switch.)
- A weak magnetization adjust function is incorporated.

Terminal wiring diagram



RH-M303A-6/24
[Type installed inside panel]
A simple construction of PWB and chassis suitable for installation inside the machine power source panel.



RH-M303A-6/24-C1
[Cover type]
A type having a dedicated cover added to the type installed inside panel. A power indicator lamp is provided on the panel.



RH-M303A-6/24-C2
[Type housed in case]
The base construction is the type installed inside panel. This is placed in a dedicated case to enable installation on the side face of a machine. This type is equipped with a power indicator lamp, voltmeter, magnetic force adjust variable resistor and demagnetizing variable resistor.

ELECTROMAGNETIC CHUCK CONTROLLERS | PERMANENT MAGNETIC CHUCKS | PERMANENT MAGNETIC CHUCKS | ELECTROMAGNETIC CHUCKS | BLOCKS FOR MC | VACUUM CHUCKS | PROMELTA* | SINE BAR CHUCKS | BLOCKS HOLDERS | HOLDING TOOLS | MEASURING TOOL HOLDERS | MAGNETIC HOLDERS | MAGNETIC TOOLS