

LIFTING MAGNETS

Model LME Model LME / BATTERY ACE*

The Battery Ace is designed to lift and transport workpieces using a function equivalent to the electromagnetic type with a built-in battery on indoor work sites where no power supply is available. This is useful as a lifting section of cranes and hoists for keeping steel plates and steel materials in order or distributing materials and loading and unloading workpieces to and from machine tools.

Common specifications of the Battery Ace (standard type, automatic holding and releasing type): LME-F/FJ

- The rigid body and guard acting as a grip also ensure high impact resistance and durability in severe work conditions.
- Since no power cord is needed, the Battery Ace can be used on various work sites. There is no fear of accidental release of workpieces in the event of power failure or feeder cable breakage.
- When the battery power becomes low, the warning buzzer will sound.
- The electrical unit of all models is of non-contact type to reduce the rate of occurrence of failures due to wear of the relay.
- The battery operating time has been increased by 40% max. per day (when compared with the old model).
- When two or more workpieces are held, workpieces that are held in an unstable state can be released by turning the cam switch from "ON" to "OFF" in the case of LME-F or by pressing the [SEPARATE] button in the case of LME-FJ so that the remaining workpieces can be transported safely.
- All models employ a construction to allow the battery to be removed from the back.
- A removable rechargeable spare battery is included with all models as a standard accessory. The Battery Ace can be used simply by connecting the connector.

Working rate 50% ED (Power on 5 minutes and pause 5 minutes)

Size reduced 30% max.! Gap performance improved significantly by optimum design!



Standard type

LME-30F

Features of LME-F

- A cam switch is used for easy ON/OFF operation.



- A remote operation function is also available. (Optional)

Two types selectable by functions

Features of LME-FJ

- The auto/manual operation can be selected with the operation switch. In the auto mode, an operation to repeat holding and releasing workpieces can be automated to enable the work to be conducted without remote input. (Holding and releasing repeated each time the Battery Ace touches down on the floor.)
- A proximity sensor mounted in the auto operation detecting section prevents malfunction in poor environment due to contamination, powder, etc. to ensure safe and reliable transportation.
- The pushbutton switch on the operation panel enables manual operation of lifted objects.

All models **Battery removable from back!**
Easy change & quick start!

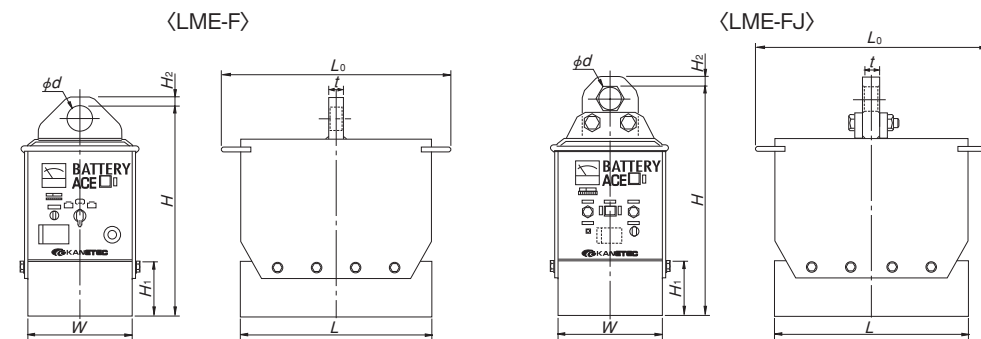


Lifted object automatic holding/releasing type



LME-30FJ

A type equipped with an automatic function to control the number of sheets (Model LME-EMJ) is also available.



Model	Lifting Capacity	Dimensions								Battery Capacity	Working Hours (50%ED)	Mass	Battery Charger	Accessories
		W	L	L ₀	H	H ₁	H ₂	d	t					
LME-10F	1000kg/2205 lb	220 (8.66)	300 (11.8)	440 (17.3)	404 (15.9)	90 (3.54)	24 (0.94)	40 (1.57)	25 (0.98)	12V 12Ah	Max. 8 hours	Approx. 60kg/ 132.3 lb	Input 100 VAC Output 12 VDC	Charger:1set Spare battery:1set
LME-17F	1700kg/3748 lb	263 (10.3)	380 (14.9)	520 (20.4)	469 (18.4)	95 (3.74)	25 (0.98)	60 (2.36)	40 (1.57)	12V 28Ah	Max. 7 hours	Approx. 130kg/ 286.6 lb		
LME-30F	3000kg/6614 lb	263 (10.3)	490 (19.2)	520 (20.4)	514 (20.2)	140 (5.51)	25 (0.98)	60 (2.36)	40 (1.57)	12V 28Ah	Max. 7 hours	Approx. 180kg/ 1028.9 lb		

*The lifting capacity is indicated by a value that is a half of the max. holding power.

Model	Lifting Capacity	Dimensions								Battery Capacity	Working Hours (50%ED)	Mass	Battery Charger	Accessories
		W	L	L ₀	H	H ₁	H ₂	d	t					
LME-10FJ	1000kg/2205 lb	220 (8.66)	300 (11.8)	440 (17.3)	445 (17.5) - 456 (17.9)	90 (3.54)	16 (0.62)	40 (1.57)	25 (0.98)	12V 12Ah	Max. 8 hours	Approx. 65kg/ 143.3 lb	Input 100 VAC Output 12 VDC	Charger:1set Spare battery:1set
LME-17FJ	1700kg/3748 lb	263 (10.3)	380 (14.9)	490 (19.2)	516 (20.3) - 527 (20.7)	95 (3.74)	25 (0.98)	60 (2.36)	40 (1.57)	12V 28Ah	Max. 7 hours	Approx. 140kg/ 308.7 lb		
LME-30FJ	3000kg/6614 lb	263 (10.3)	490 (19.2)	520 (20.4)	561 (22.0) - 572 (22.5)	140 (5.51)	25 (0.98)	60 (2.36)	40 (1.57)	12V 28Ah	Max. 7 hours	Approx. 190kg/ 418.9 lb		

*The lifting capacity is indicated by a value that is a half of the max. holding power.

Precaution for use

- If an alarm is issued repeatedly, the life of the battery becomes shorter. Replace it with a charged battery at an early stage.
- Rust and scratches on the attractive face affect the holding power adversely. Repair it periodically.