

Model **KCD-M** MINI TYPE MAGBORE*

Compact magnetic force hold type drill stand



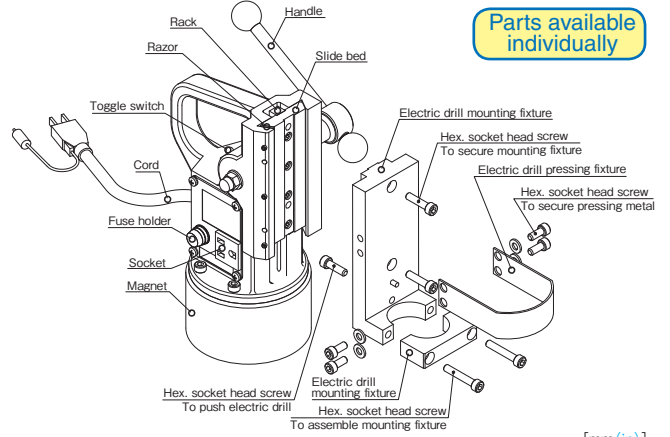
KCD-MN2
(Electric drill is not included.)

KCD-MDN2
(Electric drill is included)

[Features]

- Mini size weighing only 7 kg. Can be handled easily by female workers.
- Holds plates as thin as 5 mm and ensures highly precise drilling.
- The electric drill can be changed to a taper by changing the mounting fixtures.

Parts available individually



[mm (in.)]

Model	Applicable Drill	Drill Dia.	Power Source	Allowable Drilling Force	Holding Power	Dimensions		Max. Stroke	Mass	Remarks
						Magnet	Height			
KCD-MN2	6.5 (0.25)	1.5 (0.05) - 6.5 (0.25)	Single-phase 100 VAC/110 VAC, 50/60 Hz	1kN (100kgf)	3.5kN (350kgf)	φ 105 (4.13) × 60 (2.36)	240 (9.44)	100 (3.93)	5.5kg/12 lb	Electric drill not included
KCD-MDN2									7kg/15 lb	Electric drill included

**Power cable 2 m is included. **The holding power is based on a test piece of SS400, 25 mm thick, mill scale surface. KCD-MDN2 comes with an electric drill as a standard accessory.

Model **KCD-N** MAGBORE*

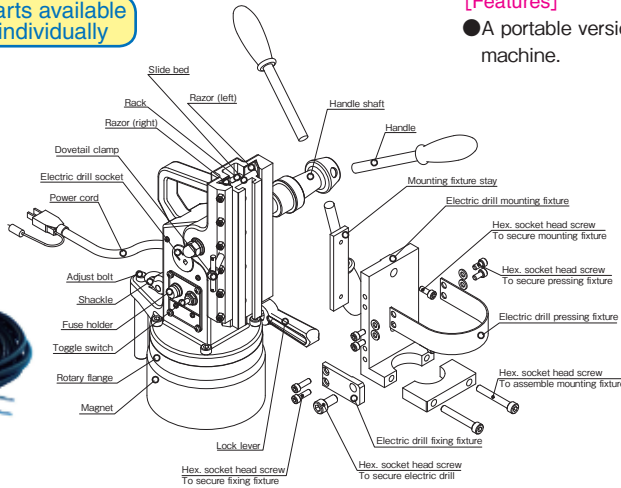
Portable magnetic force hold type drilling machine

A round magnet is turnable up to 320°. You can drill thin steel sheets by placing backing.



KCD-1NB

Parts available individually



[mm (in.)]

Model	Applicable Drill	Drill Dia.	Power Source		Allowable Drilling Force	Holding Power	Dimensions		Max. Stroke	Turning Angle	Fine Back-Forth Move	Mass
			Voltage	Power			Magnet	Height				
KCD-1NB	13 (0.51)	1.5 (0.05) - 13 (0.51)	Single-phase 100 VAC	34W	4kN (400kgf)	8kN (800kgf)	φ 142 (5.59) × 70 (2.75)	355 (13.9)	140 (5.51)	320°	30 (1.18)	15.0kg/33 lb

**Power cable 5 m is included. **The holding power is based on a test piece of SS400, 25 mm thick, mill scale surface.

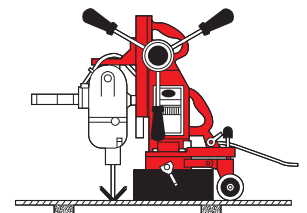
List of applicable electric drills by models of Magbore

Magbore	Hitachi
KCD-MN2	DG-6
KCD-1NB	D-13SB

Replacement of electric drills of old type KCD-MN/MN1/1NA

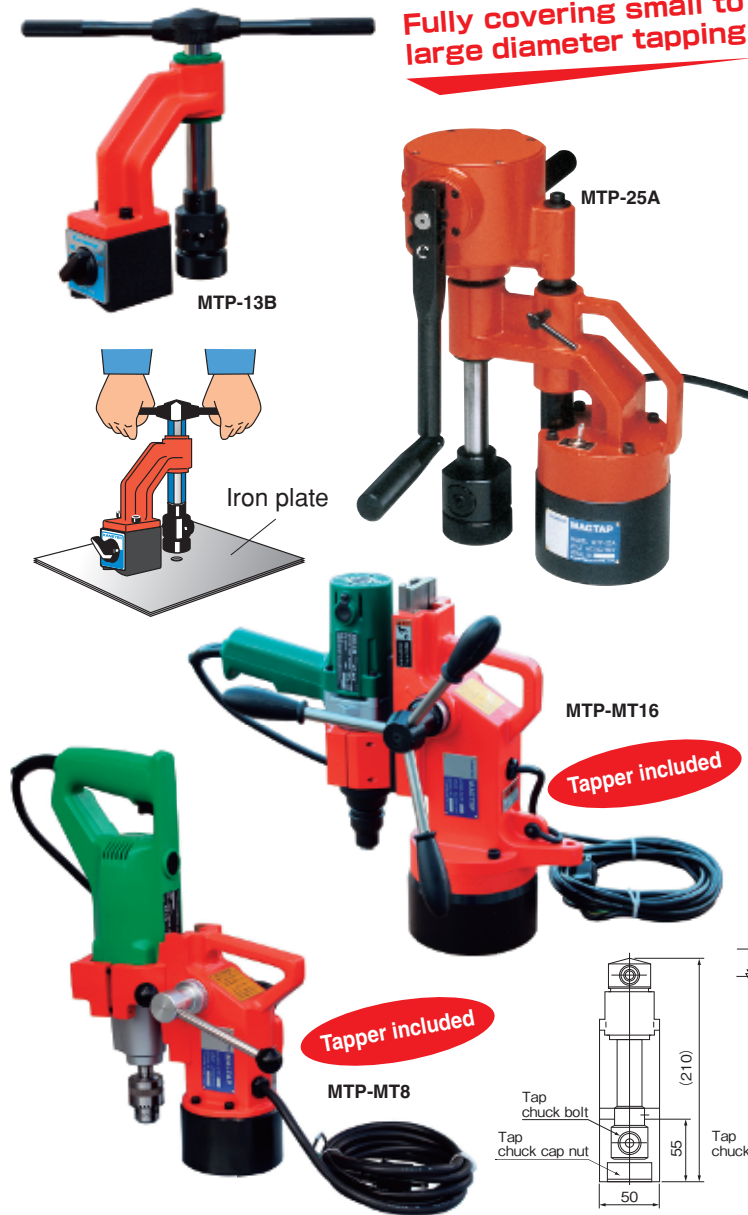
When you are using an old type and want to replace the electric drill with the latest type, please purchase a set of electric drill mounting fixtures of the latest model.

- Old KCD-MN/MN1 ⇒ Fixtures for latest KCD-MN2
- Old KCD-1NA ⇒ Fixtures for latest KCD-1NB



Model MTP MAGTAP*

Fully covering small to large diameter tapping



[Application]

A tool designed to facilitate tapping of prepared holes in iron and steel plates, secured with a powerful magnet. Available in two types: permanent magnet and electromagnet. Tapping can be done either by manual tapping or using an electric tapper.

[Features]

- The Magtap uses its strong holding power to secure a stable mounting position and posture for easy tapping.

■ MTP-13B 《Manual tapping type》

- Small and light weight for easy carrying around.
- The tap guide holder to facilitate accurate tapping in horizontal and vertical faces.
- Wear and damage of taps can be prevented.
- The magnet used is a powerful permanent magnet.

■ MTP-25A 《Ratchet type》

- Tapping can be done only by repeating back-forth movement with the ratchet lever.
- The magnet used is a powerful electromagnet.

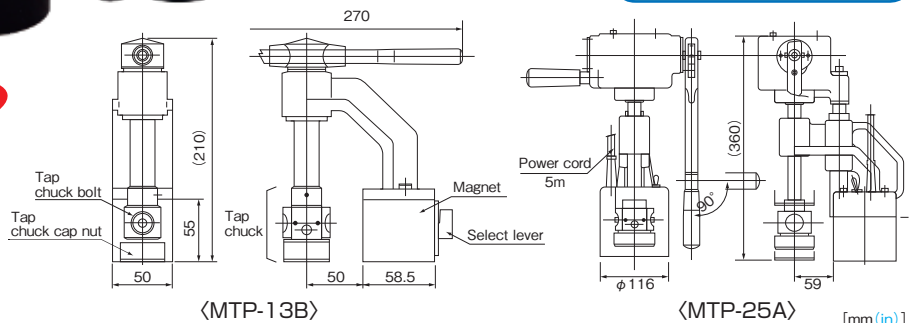
■ MTP-MT8 《Electric type》

- The revolution can be varied steplessly according to tap sizes.
- Small and light weight for easy carrying around.
- The tapper can be changed to an electric drill by changing the mounting fixtures.

■ MTP-MT16 《Electric type》

- Speedy tapping can be achieved by the impact method.
- The back-forth and right-left adjusting mechanism is incorporated.
- The tapper can be changed to an electric drill by changing the mounting fixtures. (The main unit is the same as KANETEC Magbore KCD-1NB, but the lock handle faces an opposite direction.)

Parts available individually



Model	Tap Feeding	Tapper Type	Tapping Capacity	Max. Stroke	Holding Method	Holding Power	Power Source	Power Consumption		Dimensions		Turning Angle	Fine Back-Forth Move	Mass
								Electromagnet	Tapper	Magnet	Height			
MTP-13B	Manual	-	M 3 (0.11) - M12 (0.47)	60 (2.36)	Permanent magnet	0.8kN (80kgf)	-	-	-	50 (1.96) × 58.5 (2.30) × 55 (2.16)	210 (8.26)	-	-	2.5kg / 5.51 lb
MTP-25A			M10 (0.39) - M24 (0.94)	85 (3.34)		6kN (600kgf)				30W	φ 116 (4.56) × 75 (2.95)			360 (14.1)
MTP-MT8	Electric	UT- 8V	M 3 (0.11) - M 8 (0.31)	100 (3.93)	Electro Magnet	3.5kN (350kgf)	Single-phase 100 VAC	34W	285W	φ 105 (4.13) × 60 (2.36)	(440) (17.3) 240 (9.44)	320°	30 (1.18)	9kg / 19.8 lb
MTP-MT16		UT-14V	M 8 (0.31) - M16 (0.62)	140 (5.51)		8kN (800kgf)				360W	φ 142 (5.59) × 70 (2.75)			(390) (15.3) 355 (13.9)

※ The power cable included is 5 m long for MTP-25A and MTP-MT16 and 2 m long for MTP-MT18. ※ For MTP-MT, use a taper tap or plug tap.

※ MTP-MT16 requires tap holders suitable for tap sizes, which are optionally available. (See the figures below.)

※ The figures in () in "Height" are the height with the electric tapper installed. ※ The holding power is based on a test piece of SS400, 25 mm thick, mill scale surface.

Information about commercially available tap holders for tapper UT-14V
 ... Tap holder sets/major dimensions and applicable taps (Use commercially available holders according to tap sizes.)

Name	Code No.	Shape	Applicable Tap Size		Tap Mounting Dimensions		External Dimensions		
			Metric	Unified	d	K	S	D	L
			[mm (in)]						
M8 Tap holder set	995308	A	M 8 (0.31)	-	6.2 (0.24)	5 (0.19)	12.7 (0.50)	36 (1.41)	49 (1.92)
M10 3/8 Tap holder set	995280		M10 (0.39)	3/8	7 (0.27)	5.5 (0.21)			
M12 Tap holder set	995283	B	M12 (0.47)	-	8.5 (0.33)	6.5 (0.25)			
* 1/2 Tap holder set	995281		-	1/2	9 (0.35)	7 (0.27)			
M14 Tap holder set	995300	C	M14 (0.55)	-	10.5 (0.41)	8 (0.31)			
5/8 Tap holder set	995282		-	5/8	12 (0.47)	9 (0.35)			
M16 Tap holder set	996341		M16 (0.62)	-	12.5 (0.49)	10 (0.39)			

The 1/2 tap holder set marked by * is a standard accessory. The M12 tap can be used by replacing the tap drive only with the one for M12. The holders other than the one marked by * are all commercially available. Please purchase them.

MAGNETIC TOOLS & EQUIPMENT
 LIFTING
 MAGNET
 MAGBORE*
 CHIP & SLUDGE
 CONVEYANCE EQUIPMENT
 ENVIRONMENTAL
 EQUIPMENT
 MAGNETIZER AND
 DEMAGNETIZER
 MAGNETIC EQUIPMENT
 FOR CONVEYANCE
 SEPARATORS
 SEPARATORS
 MEASURING
 TOOLS
 MEASURING
 INSTRUMENTS
 MAGNETIC
 MATERIALS