

Model **PME** MAGNETIC CONVEYOR MAGCON

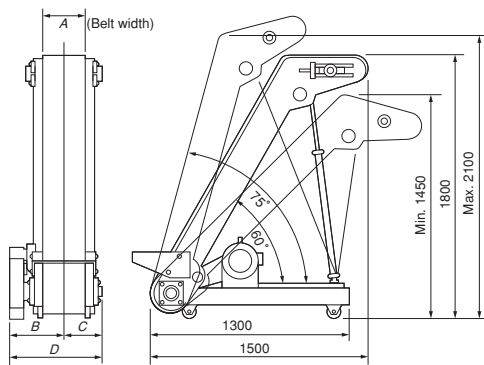
[Application]

The Magcon is a magnetic conveyor having permanent magnets arranged under the belt and is mainly used to convey iron parts and press scraps upward or downward.

[Features]

- High-performance permanent magnets and optimum design. Practically no diminishing of the magnetic force during its life. (Magnetic force diminishes less than 2% over 10-year period)
- Simplified mechanism for trouble-free operations.
- The portable type and inclining type are employed simultaneously to meet a wide variety of operations.
- Requiring less space, the Magcon can be utilized efficiently in small space in factories.
- Can be used to connect other up-down conveyor lines when used as an intermediate conveyor link.
- The time to transfer products between processes can be shortened.

An example of Magcon fabrication 1



- Belt speed: 20 m/min
 - Belt: Oil-resistant conveyor belt
 - Power source: 3-phase, 220 VAC (for motor)
 - Magnet: Sintered magnet having high holding power
- Notes: ※ A feeder hopper will be installed upon request.
 ※ The head pulley can be a magnetic pulley upon request. (It picks up magnetic substances on the floor.)

※ Various types of the Magcon for various operations including vertical conveyance are designed and fabricated according to your needs.

An example of Magcon fabrication 2



[mm(in)]

Model	A	B	C	D	Motor
PME-20	200 (7.87)	280 (11.0)	210 (8.26)	480 (18.9)	0.75kW
PME-30	300 (11.8)	330 (12.9)	280 (11.0)	580 (22.8)	
PME-45	450 (17.7)	405 (15.9)	335 (13.1)	740 (29.1)	1.5 kW
PME-60	600 (23.6)	480 (18.9)	410 (16.1)	840 (33.1)	

Examples of special fabrication of magnetic equipment for conveyance

COIL OPENER

MCO-P

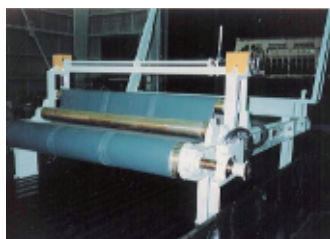
[Application]

An opener of strip coil is used for labor saving and safety of workers. This opener is used to automatically set the leading edge of coil in the pinch rollers in various factories such as steel mills.

This opener is used in strip coil leveler lines, slitter lines, plaiting lines, surface treatment lines, forming lines, etc. to contribute to labor saving.

Applicable strip coil:

- Material: Ordinary steel plate, silicon steel, colored steel plate, plated steel, surface coated steel, etc.
- Width: 10 - 2,000 mm
- Thickness of plate: 0.2 - 3.0 mm
- Threading speed: Normally 30 m/min



SHEET FEEDER

AFR

[Application]

Suitable for feeding silicon steel for iron core into a baking furnace in factories such as electric appliance manufacturing or feeding thin steel sheets to a press machine, or for transferring cut-out or punched plates.

[Features]

- Powerful permanent magnets are employed. The magnetic force diminishes little and no power source for excitation is required.
- A simplified mechanism with roller rotating motion and cylinder reciprocating motion combined, which is less likely to become a cause of failure.
- Each time a plate is fed out, the cylinder moves up and down. This feature makes this feeder suitable for operations where a relatively small number of sheets is handled.
- Light weight and compact for easy installation and handling.

