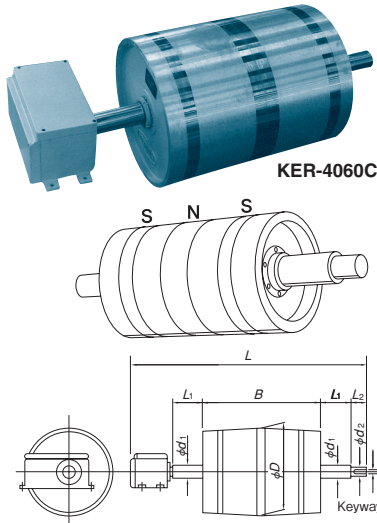


Model KER ELECTROMAGNETIC PULLEY

[Application]

These pulleys have been widely used in wastes processing systems and also used to remove iron from granular materials in chemical, steel making, coal, food and mining industries.

The electromagnetic pulley is equipped with a rectifier having an ammeter. The power source is single-phase 200 VAC and the output is 180 VDC.



Model	Belt Width	Dimensions								Power Consumption	Mass	Applicable Rectifier		
		ϕD	B	L	ϕd_1	ϕd_2	L ₁	L ₂	Keyway					
KER-3030C	300(11.8)	300(11.8)	350(13.7)	880(34.6)	50(1.96)	45(1.77)	130(5.11)	60(2.36)	14(0.55) x 5.5(0.21)	300W	140kg/ 308 lb	KR-A203		
KER-3035C	350(13.7)		400(15.7)	930(36.6)						360W	155kg/ 341 lb			
KER-3040C	400(15.7)		450(17.7)	980(38.5)						400W	175kg/ 385 lb			
KER-3045C	450(17.7)	400(15.7)	500(19.6)	1030(40.5)	60(2.36)	55(2.16)	150(5.90)	70(2.75)	16(0.62) x 6(0.23)	450W	195kg/ 429 lb	KR-A208		
KER-3050C	500(19.6)		550(21.6)	1110(43.7)						490W	210kg/ 463 lb			
KER-4040C	400(15.7)		450(17.7)	1030(40.5)						55(2.16)	50(1.96)		680W	475kg/ 1047 lb
KER-4045C	450(17.7)	500(19.6)	500(19.6)	1080(42.5)	65(2.55)	60(2.36)	160(6.29)	80(3.15)	18(0.70) x 7(0.27)	620W	430kg/ 948 lb	KR-A215		
KER-4050C	500(19.6)		550(21.6)	1140(44.8)						950W	730kg/ 1609 lb			
KER-4060C	600(23.6)		650(25.5)	1240(48.8)						1000W	900kg/ 1984 lb			
KER-4075C	750(29.5)	600(23.6)	820(32.2)	1430(56.3)	75(2.95)	70(2.75)	170(6.69)	100(3.93)	20(0.78) x 7.5(0.29)	1000W	700kg/ 1543 lb	KR-A230		
KER-5050C	500(19.6)		550(21.6)	1169(46.0)						950W	730kg/ 1609 lb			
KER-5060C	600(23.6)		650(25.5)	1279(50.3)						1000W	900kg/ 1984 lb			
KER-5075C	750(29.5)	750(29.5)	820(32.2)	1449(57.0)	110(4.33)	95(3.74)	250(9.84)	200(7.87)	25(0.98) x 9(0.35)	1300W	1130kg/ 2491 lb	KR-A230		
KER-5090C	900(35.4)		1000(39.4)	1649(64.9)						4200W	3100kg/ 6834 lb			
KER-6060C	600(23.6)		650(25.5)	1299(51.1)						4200W	3100kg/ 6834 lb			
KER-6075C	750(29.5)	900(35.4)	820(32.2)	1479(58.2)	125(4.92)	100(3.93)	280(11.0)	250(9.84)	28(1.10) x 10(0.39)	1500W	1580kg/ 3483 lb	LMT-A240		
KER-6090C	900(35.4)		1000(39.4)	1679(66.1)						1800W	1900kg/ 4189 lb			
KER-7590C	900(35.4)		1810(71.2)	230(9.05)						180(7.08)	2800W		1800kg/ 3968 lb	
KER-75100C	1000(39.4)	750(29.5)	1100(43.3)	2020(79.5)	110(4.33)	95(3.74)	300(11.8)	300(11.8)	32(1.26) x 11(0.43)	3400W	2200kg/ 4850 lb	LMT-A250		
KER-75120C	1200(47.2)		1300(51.1)	2170(85.4)						250(9.84)	200(7.87)		3800W	2600kg/ 5732 lb
KER-75150C	1500(59.0)		1600(62.9)	2570(101.2)						250(9.84)	230(9.05)		3800W	2600kg/ 5732 lb
KER-90100C	1000(39.4)	900(35.4)	1100(43.3)	2050(80.7)	125(4.92)	100(3.93)	280(11.0)	250(9.84)	32(1.26) x 11(0.43)	4300W	3000kg/ 6614 lb	LMT-A250		
KER-90120C	1200(47.2)		1300(51.1)	2280(89.7)						4700W	3500kg/ 7716 lb			
KER-90150C	1500(59.0)		1600(62.9)	2670(105.1)						5200W	4400kg/ 9700 lb			
KER-100120C	1200(47.2)	1000(39.4)	1300(51.1)	2490(98.0)	135(5.31)	110(4.33)	330(12.9)	360(14.1)	36(1.41)	5500W	4200kg/ 9259 lb	LMT-A250		
KER-100150C	1500(59.0)		1600(62.9)	2900(114.2)						6500W	5000kg/ 11023 lb			
KER-120120C	1200(47.2)		1300(51.1)	2490(98.0)						6500W	5400kg/ 11905 lb			
KER-120150C	1500(59.0)	1600(62.9)	2900(114.2)	7600W	6500kg/ 14330 lb									

Note: The slip ring SRB-100 is used for 3030C – 4060C and SR-20 for 4075C and over.

Model KPR PERMANENT MAGNETIC PULLEY

Environmentally friendly

Removing iron in wood-processing plants for biomass power generation also!

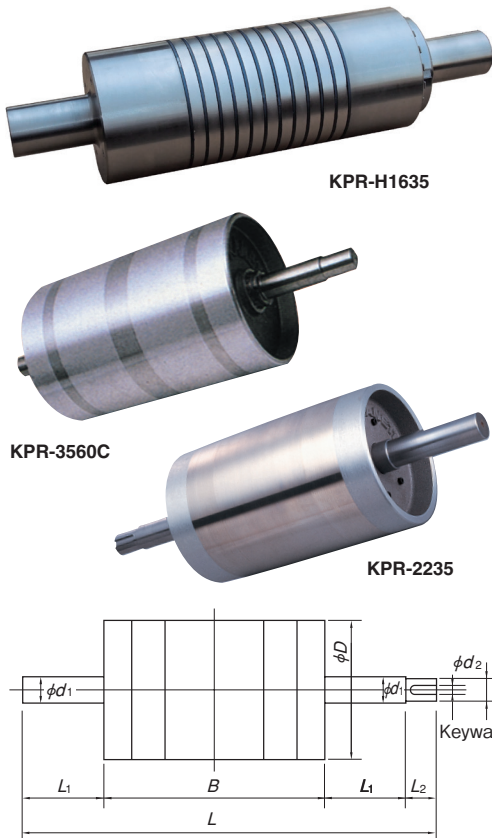


[Application]

These pulleys are utilized to remove iron as with electromagnetic pulleys.

[Features]

- Powerful magnetic force. Its effect lasts almost perpetually.
- No power source is required to generate the magnetic force.
- Robust construction and easy handling and installation.
- A high magnetic force type exceeding the surface max. magnetic flux density 1.3 T (13000 G) is also available. (KPR-H16 Series) This pulley can also be used to sort and collect weak magnetic substances such as stainless steel from raw materials.



Model	Belt Width	Dimensions								Surface Max. Magnetic Flux Density	Mass
		ϕD	B	L	d_1	d_2	L ₁	L ₂	Keyway		
KPR-H1635	350(13.7)	160(6.29)	440(17.3)	670(26.3)	60(2.36)	—	100(3.93)	—	20(0.78) x 10(0.39)	1.3T (13000G) min.	80kg/ 176 lb
KPR-H1640	400(15.7)		500(19.6)	730(28.7)							90kg/ 198 lb
KPR-H1645	450(17.7)		550(21.6)	780(30.7)							95kg/ 209 lb
KPR-2230	300(11.8)	214(8.42)	350(13.7)	660(25.9)	40(1.50)	35(1.37)	130(5.11)	50(1.96)	10(0.39) x 5(0.19)	80mT (800G) min.	45kg/ 99 lb
KPR-2235	350(13.7)		400(15.7)	710(27.9)							52kg/ 114 lb
KPR-2240	400(15.7)		450(17.7)	760(29.9)							68kg/ 149 lb
KPR-2735	350(13.7)	265(10.4)	400(15.7)	710(27.9)	45(1.77)	40(1.50)	130(5.11)	50(1.96)	12(0.47) x 5(0.19)	80mT (800G) min.	77kg/ 169 lb
KPR-2740	400(15.7)		450(17.7)	760(29.9)							86kg/ 189 lb
KPR-2745	450(17.7)		500(19.6)	810(31.8)							100kg/ 220 lb
KPR-3240	400(15.7)	315(13.7)	450(17.7)	780(30.7)	50(1.96)	45(1.77)	135(5.31)	60(2.36)	14(0.55) x 5.5(0.21)	80mT (800G) min.	110kg/ 242 lb
KPR-3245	450(17.7)		500(19.6)	830(32.6)							122kg/ 368 lb
KPR-3250	500(19.6)		550(21.6)	880(34.6)							135kg/ 297 lb
KPR-3260	600(23.6)	350(13.7)	650(25.5)	980(38.5)	60(2.36)	55(2.16)	140(5.51)	70(2.75)	16(0.62) x 6(0.23)	80mT (800G) min.	140kg/ 308 lb
KPR-3540C	400(15.7)		450(17.7)	790(31.1)							190kg/ 418 lb
KPR-3545C	450(17.7)		500(19.6)	850(33.4)							210kg/ 462 lb
KPR-3550C	500(19.6)	600(23.6)	550(21.6)	900(35.4)	55(2.16)	50(1.96)	140(5.51)	70(2.75)	16(0.62) x 6(0.23)	80mT (800G) min.	230kg/ 507 lb
KPR-3560C	600(23.6)		650(25.5)	1000(39.4)							280kg/ 617 lb
KPR-4045C	450(17.7)		500(19.6)	860(33.8)							270kg/ 595 lb
KPR-4050C	500(19.6)	400(15.7)	550(21.6)	920(36.2)	60(2.36)	55(2.16)	145(5.70)	80(3.14)	18(0.70) x 7(0.27)	300mT (3000G) min.	300kg/ 661 lb
KPR-4060C	600(23.6)		650(25.5)	1020(40.1)							355kg/ 782 lb
KPR-4075C	750(29.5)		820(32.2)	1200(47.2)							450kg/ 992 lb
KPR-5060C	600(23.6)	500(19.6)	650(25.5)	1040(40.9)	70(2.75)	65(2.55)	150(5.90)	90(3.54)	18(0.70) x 7(0.27)	300mT (3000G) min.	480kg/ 1058 lb
KPR-5075C	750(29.5)		820(32.2)	1210(47.6)							630kg/ 1388 lb
KPR-5090C	900(35.4)		1000(39.4)	1400(55.1)							750kg/ 1653 lb
KPR-6075C	750(29.5)	600(23.6)	820(32.2)	1300(51.1)	75(2.95)	70(2.75)	190(7.48)	100(3.93)	20(0.78) x 7.5(0.29)	300mT (3000G) min.	900kg/ 1984 lb
KPR-6090C	900(35.4)		1000(39.4)	1500(59.0)							1070kg/ 2358 lb
KPR-60105C	1050(41.3)		1150(45.2)	1670(65.7)							1230kg/ 2711 lb
KPR-60120C	1200(47.2)	750(29.5)	1300(51.1)	1820(71.6)	90(3.54)	85(3.34)	200(7.87)	150(5.90)	25(0.98) x 9(0.35)	300mT (3000G) min.	1450kg/ 3196 lb
KPR-7575C	750(29.5)		820(32.2)	1370(53.9)							1200kg/ 2645 lb
KPR-75105C	1050(41.3)		1150(45.2)	1700(66.9)							1650kg/ 3637 lb
KPR-75120C	1200(47.2)	900(35.4)	1300(51.1)	1950(76.7)	110(4.33)	95(3.74)	250(9.84)	200(7.87)	28(1.10) x 10(0.39)	300mT (3000G) min.	1900kg/ 4188 lb
KPR-75140C	1400(55.1)		1500(59.0)	2150(84.6)							2150kg/ 4739 lb

MAGNETIC TOOLS & EQUIPMENT FOR FELDING OPERATION
LIFTING MAGNET
MAGBORG®
MAGNETIZER AND CHIP & SLUDGE CONVEYANCE EQUIPMENT
MAGNETIZER AND ENVIRONMENTAL EQUIPMENT
MAGNETIC EQUIPMENT FOR CONVEYANCE
MAGNETIC SEPARATORS
POWERFUL MAGNETIC SEPARATORS
MEASURING TOOLS
MAGNETIC MATERIALS